



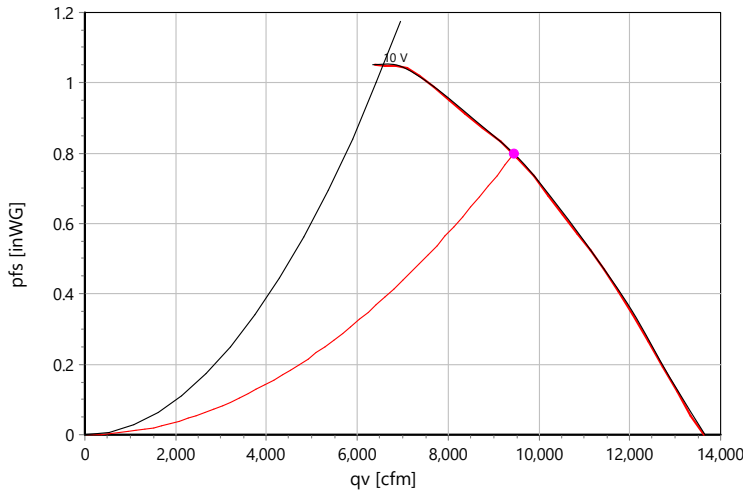
Axial Fan

Type: **AKFG 710 K.6IF A6 Gen3**

Art.-No.: E66-71664 (white Shroud)
E66-71667 (Black Shroud)



Curve:



p: 1.21 kg/m³; Data @ 230 V

Operating Point:

q _v	9437	cfm
p _{fs}	0.798	inWG
p _{fd}	0.4	inWG
η _{ed,fs}	40	%
η _{ed,tot}	55	%
P _{ed}	2.24	kW
I	5.8	A
n	1195	r/min
L _{WA A,IN}	83	dB(A)
U _c	9.6	V
v	36.8	ft/s
SFP	505	Ws/m ³
FEI	1.2	
t _{R,OP}	60	°C

ErP-Data:

(EU) Nr. 327/2011	(Lot11)	
q _v	8445	cfm
p _{fs}	1.13	inWG
η _{ed,fs}	43.2	%
P _{ed}	2.74	kW
n	1280	r/min
N	47	
v	32.9	ft/s

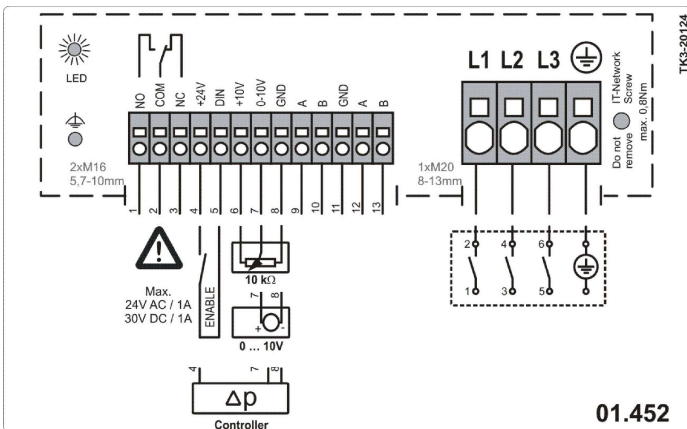
Nominal Data:

U [V]	f [Hz]	Data @ [V]	P _{ed} [kW]	I _N [A]	n _N [r/min]	t _R [°C]	k ₁₀ [m ² /h]	Eff.-Rating	IP	m [kg]
3~200-240	50/60	230	2.14	5.7	1200	60	-	IE5	IP 54	40

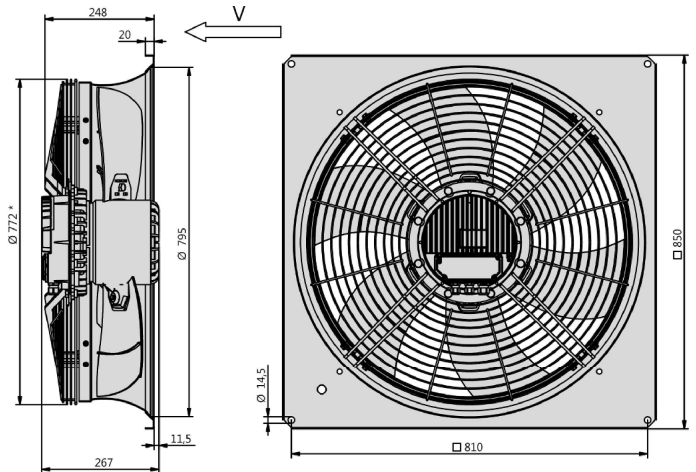
Sound Data:

Frequency	Σ	125Hz	250Hz	500Hz	1kHz	2kHz	4kHz	8kHz	Distances	1 m	4 m
L _{WA(A,in)} [dB(A)]	83	63	70	76	78	78	73	63	L _{pA(A,in)} [dB(A)]	76	65

Wiring Diagram:



Drawing:



* Maß über Hauptstreben gemessen / dimension measured over main struts

Data @ 208V: 2,82 kW; 1,89 A; 1110 1/min